



LYNN ENGINEERING
 2200 AVENUE A
 BAY CITY, TEXAS 77414
 PH: (979) 245-8900
 FAX: (979) 245-5345

BEE COUNTY
 EMERGENCY OPERATIONS CENTER
 BEEVILLE, TX
 PARKING AND SIDEWALK PLAN

PROJECT NAME:

PLAN NORTH	TRUE NORTH
DRAWN BY: DM	CHECKED BY: JDM
DESIGNED BY: XXXX	JOB NO. E2580.01

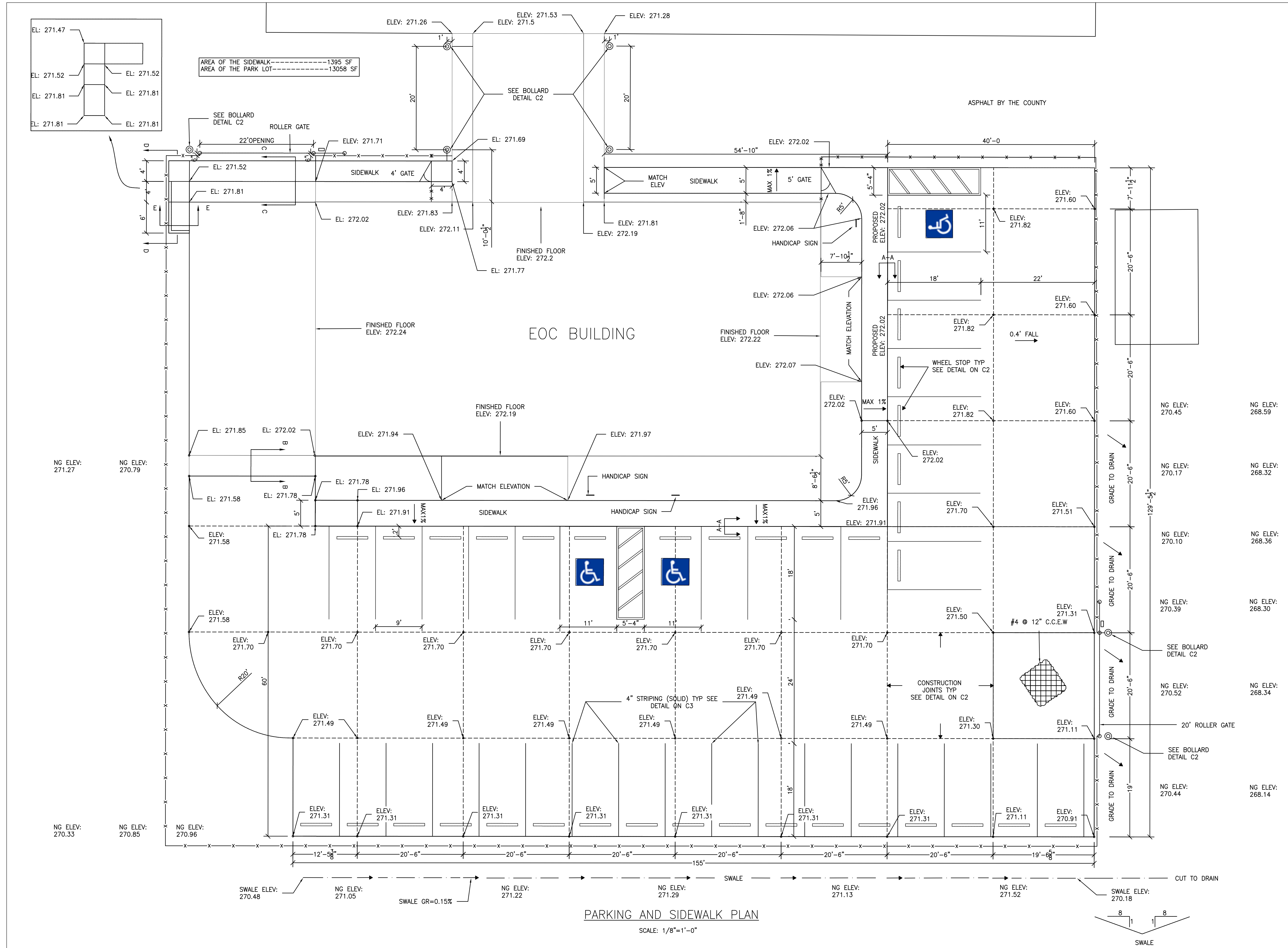
PRINTED

DATE	REMARKS
06/4/24	DESIGN LAYOUT

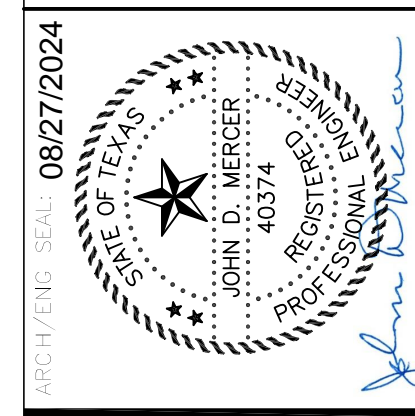
REVISIONS

NO.	REMARKS

C1



PARKING AND SIDEWALK PLAN
 SCALE: 1/8"=1'-0"



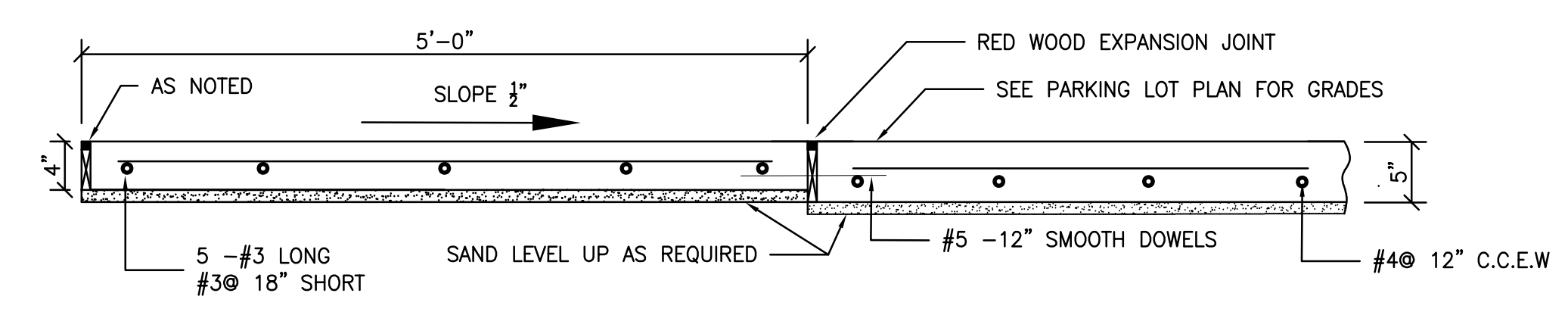
LYNN ENGINEERING
 2200 AVENUE A
 BAY CITY, TEXAS 77414
 PH: (979) 245-8900
 FAX: (979) 245-5345

BEE COUNTY
 EMERGENCY OPERATIONS CENTER
 BEEVILLE, TX
 PARKING DETAILS

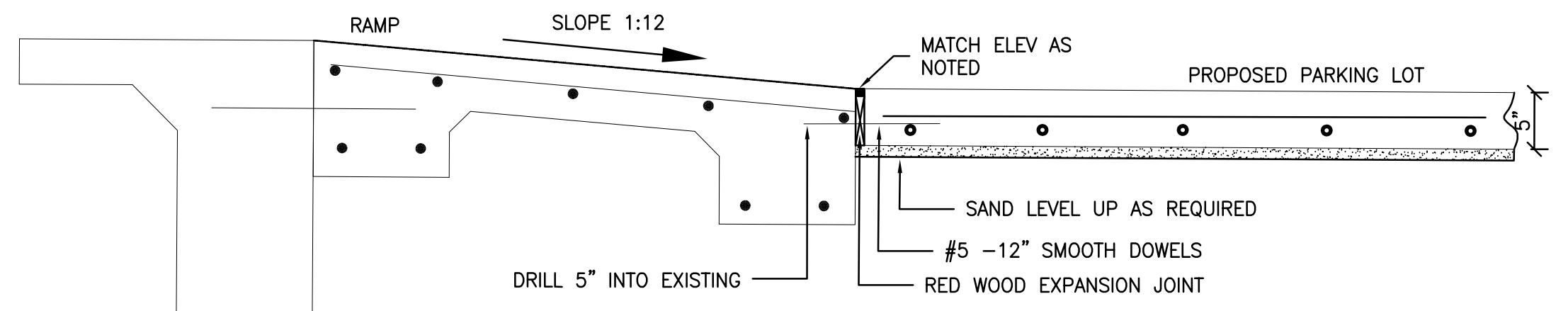
PROJECT NAME:	
DATE:	6/21/24
DESIGNED BY:	DM
CHECKED BY:	JJD
DESIGNED BY:	XXXX
JOB NO.:	40614

PRINTED	
DATE	REMARKS
6/21/24	DESIGN LAYOUT

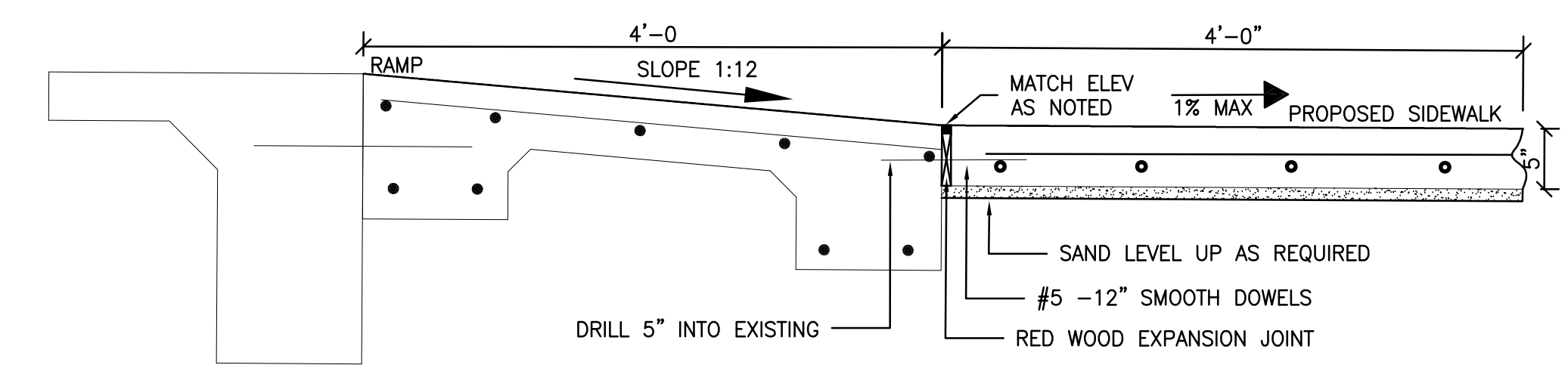
REVISIONS	
NO.	REMARKS



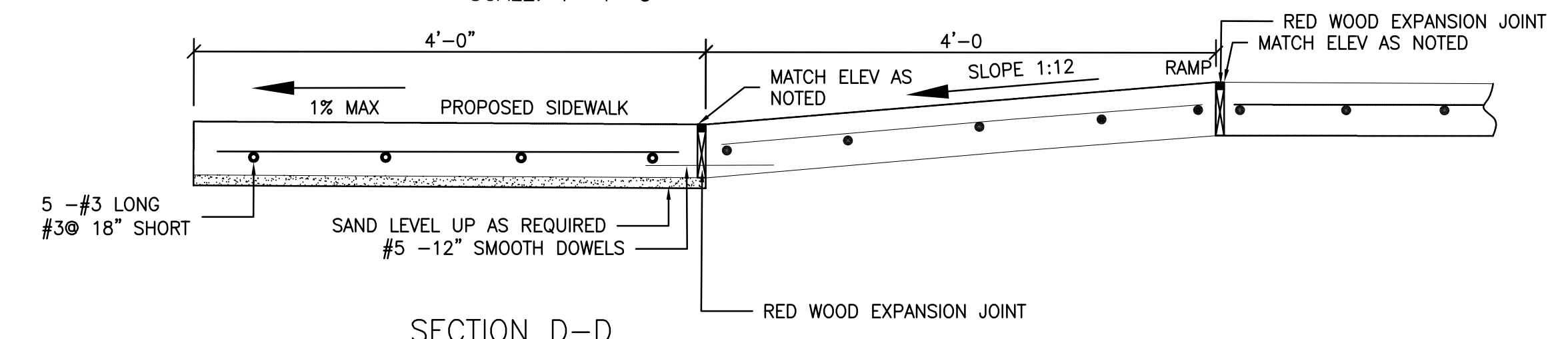
SECTION A-A
SCALE: 1"=1'-0"



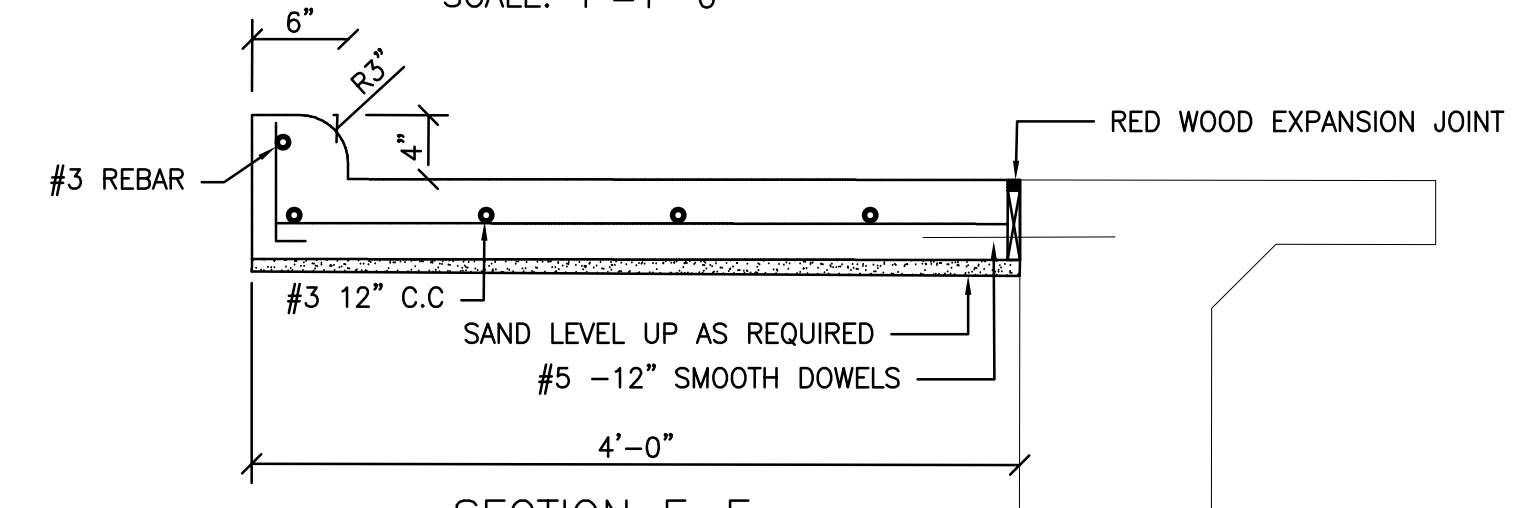
SECTION B-B
SCALE: 1"=1'-0"



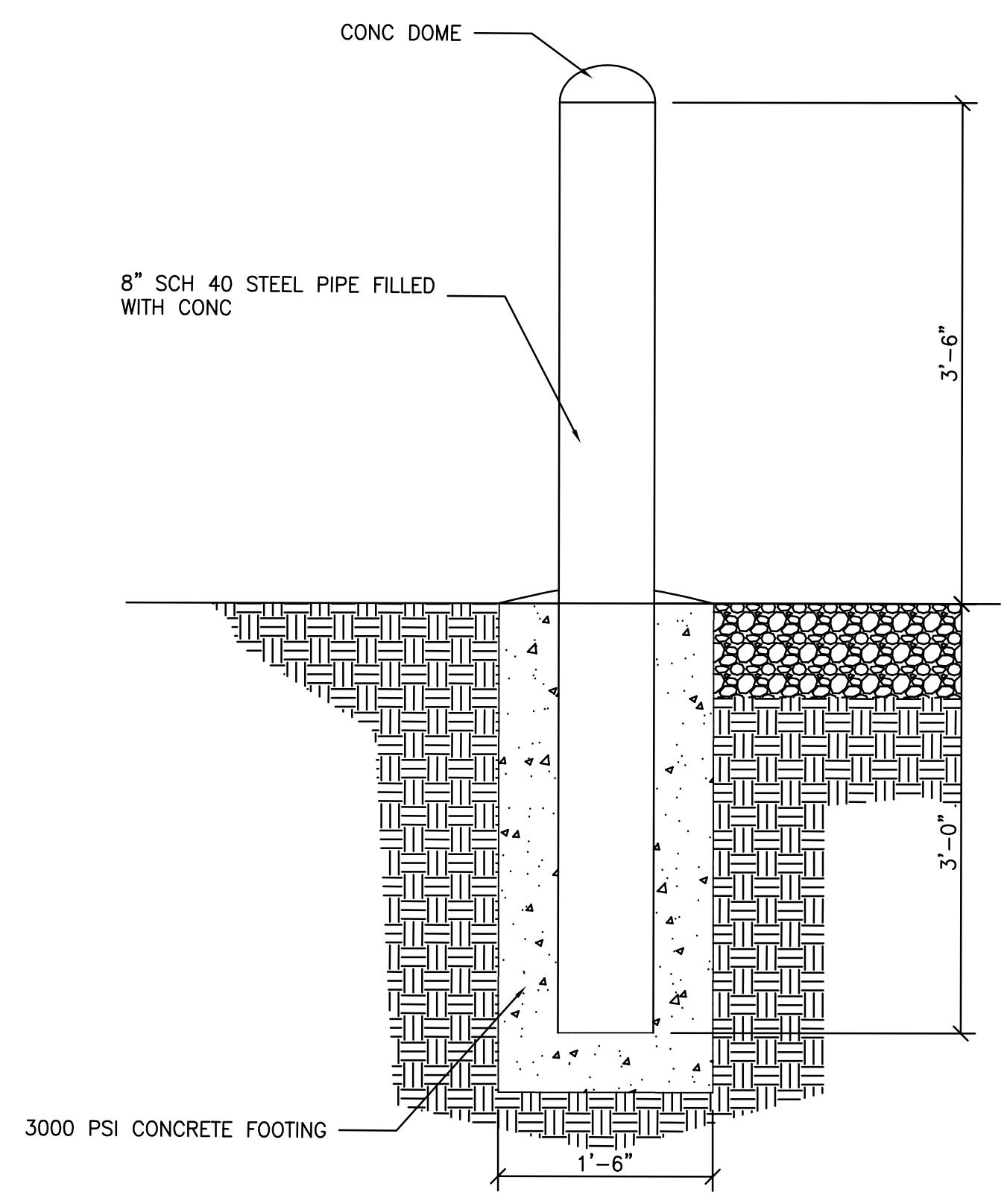
SECTION C-C
SCALE: 1"=1'-0"



SECTION D-D
SCALE: 1"=1'-0"

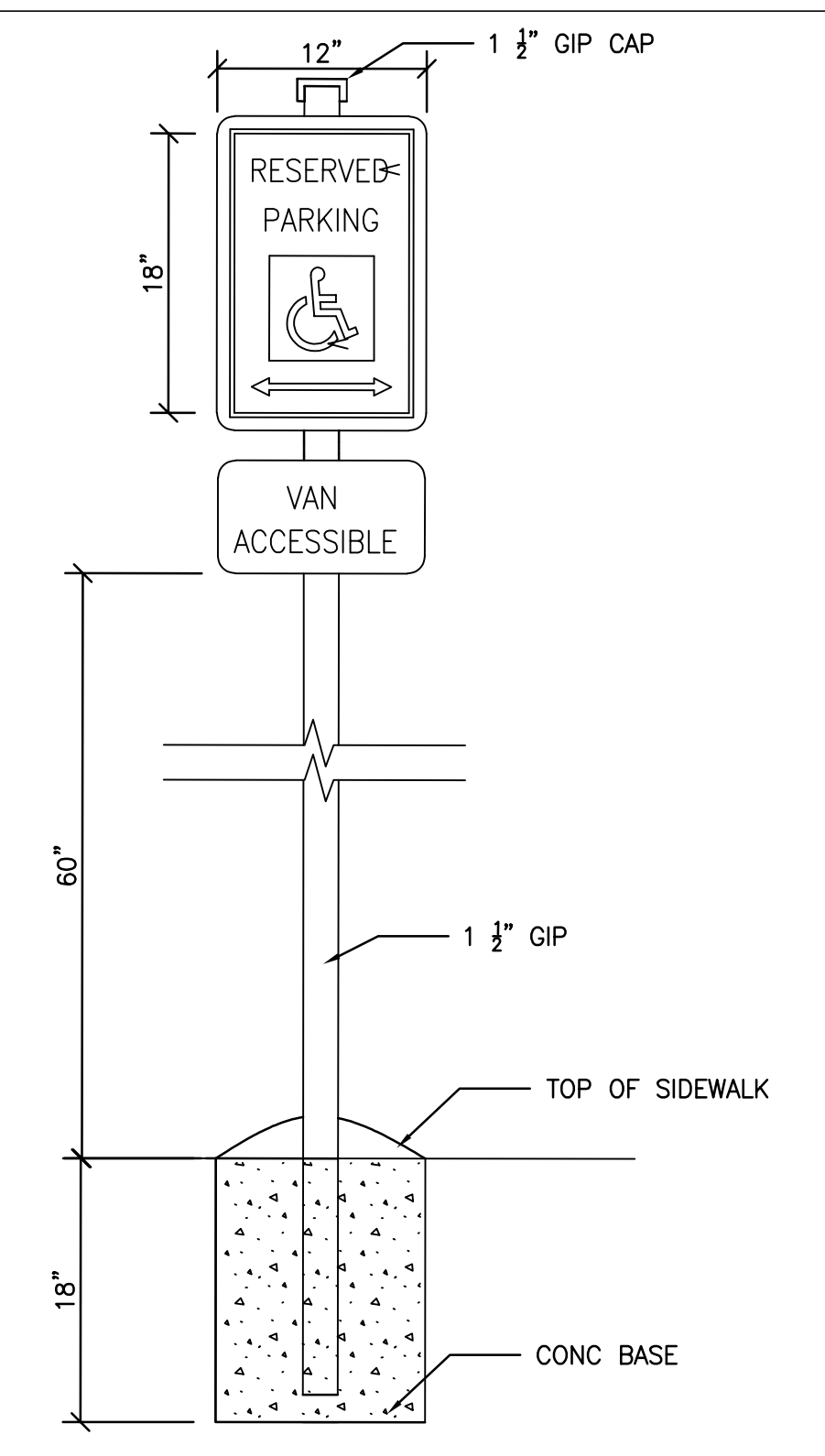


SECTION E-E
SCALE: 1"=1'-0"



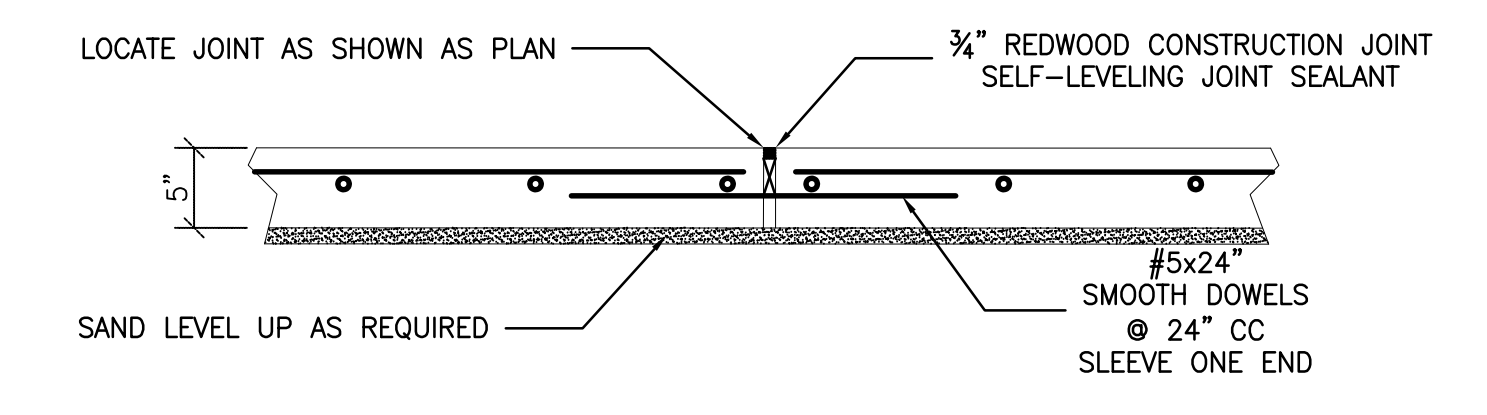
BOLLARD DETAIL
SCALE: 1"=1'-0"

NOTE:
PAINT WITH ONE COAT METAL PRIMER AND TWO COATS SAFETY YELLOW

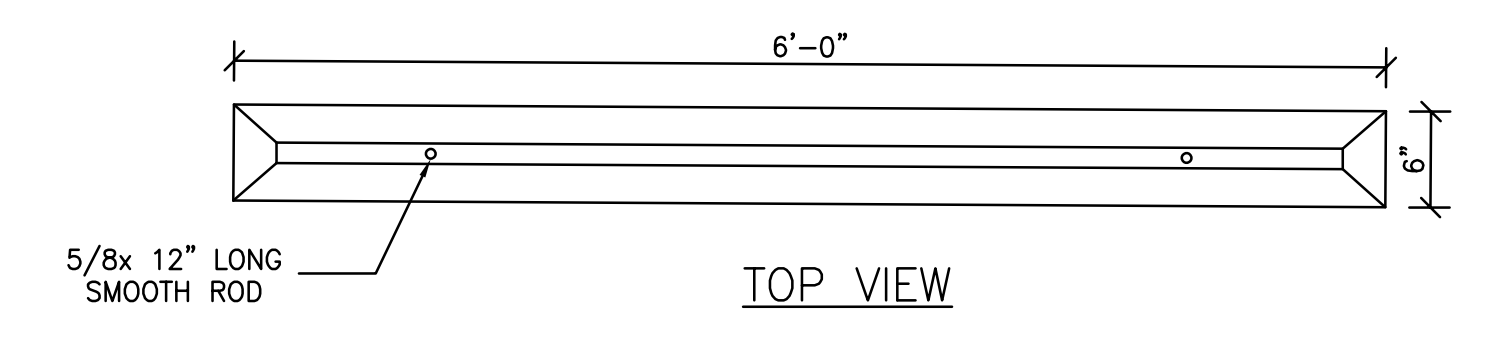


HANDICAP PARKING SIGN
SCALE: 1"=1'-0"

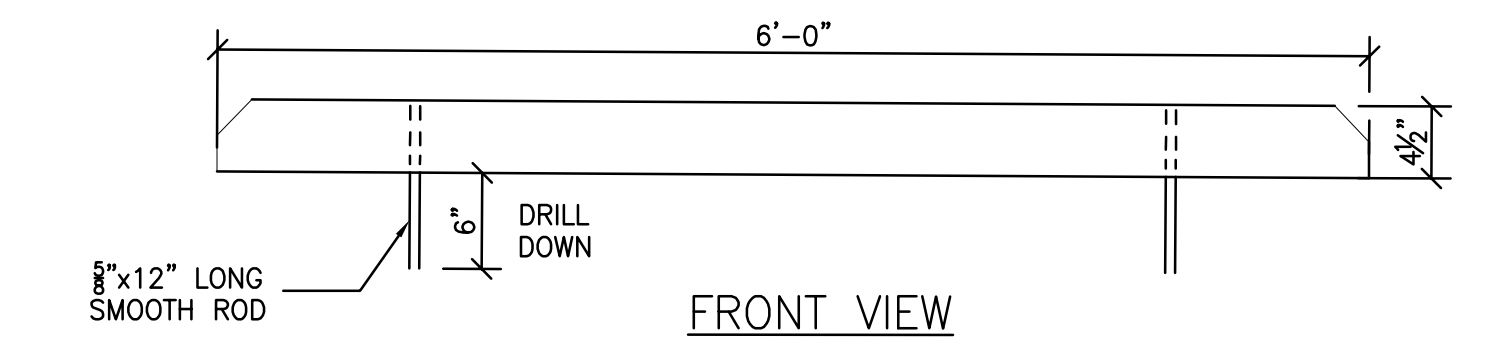
NOTE:
ADA - COMPLIANT HANDICAP SIGN MUST BE AT LEAST 12" INCHES IN HEIGHT AND 18" IN WIDTH FOR STANDARD PARKING SPACES. VAN ACCESSIBLE SPACE REQUIRED LARGER SIGN TYP 24"x 24"



PAVEMENT CONSTRUCTION JOINT
SCALE: 1"=1'-0"

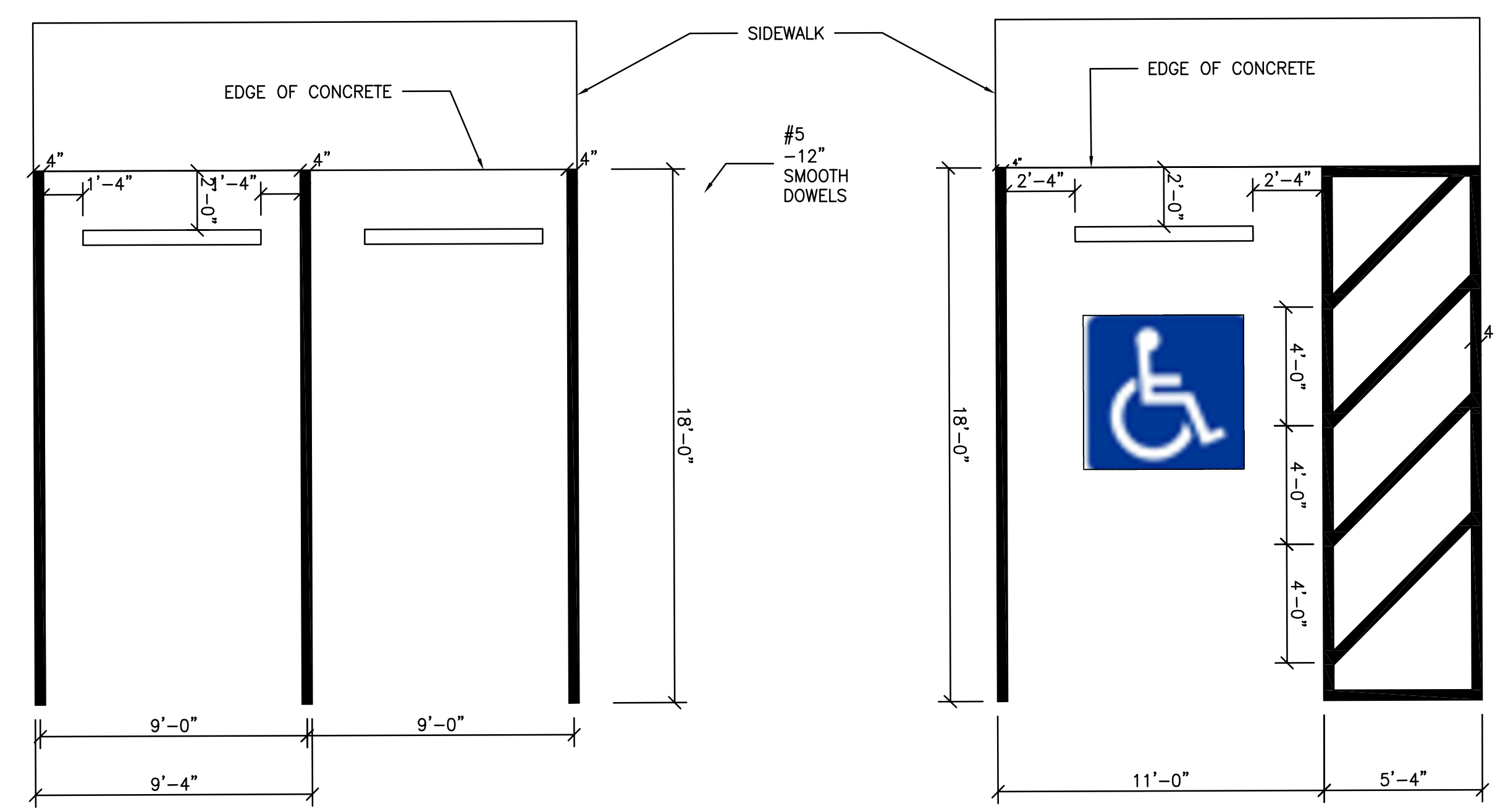


TOP VIEW



FRONT VIEW

WHEEL STOP DETAIL
SCALE: 1"=1'-0"



STRIPING PLAN
SCALE: 1/4"=1'-0"